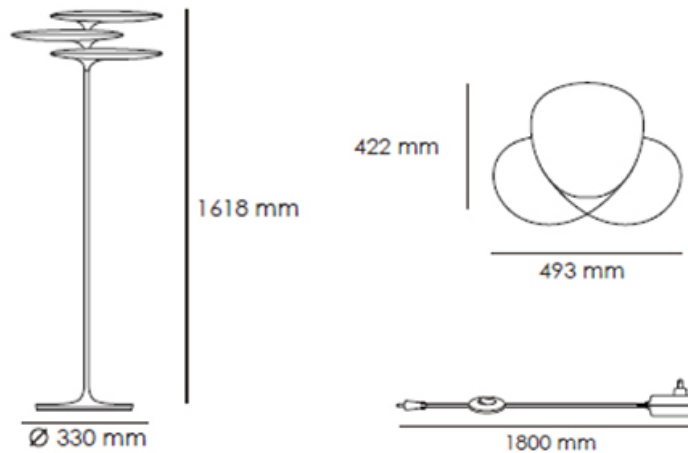


Coral Reef LED Floor

Color

Sandy Beach Metallic



Material	LED Color	Power Input	Switch
Polycarbonate, Zinc alloy die casting, Polycarbonate	Warm white	AC input: 100-240V AC/50-60Hz DC input: 15V, 2.4A	ON/OFF switch fitted on the power cord
Net Weight		Power Consumption	
12.5 Kg		Max. 28W	

QISDESIGN